



**ALFTECH**  
YOUR PARTNER IN INDUSTRIAL INNOVATION



**DPT-EN3**

## Digital Programmable Timer

### DPT-EN3

#### HARDWARE DESCRIPTION

The DPT-EN3 is designed to be connected permanently to the USB Port on your PC, so as to ensure a consistent supply of power. If however, the PC is shut down, the DPT-EN3 is battery powered and will remain operational for approximately 7 days.

#### HARDWARE FEATURES


- 120 timers per day
- 7 day week clock
- Clock accurate to  $\pm 2$  minutes / year
- Powered and Programmed via USB
- 1 to 55 second Pulsed Output only
- DPT-CONSOLE Software CD-ROM included, with DPT\_Sync, a PC/Server Time synchronization software application.


#### HARDWARE CONNECTIONS


- USB to PC (5.0 m Cable included)
- Normally Open relay contact output with Self-Latching Push Pull Connector (Connector Included)

#### HARDWARE LCD INDICATORS

- ACTUAL TIME
- OFFLINE vs. ACTIVE (Displays Next ring-time and Current day)
- POWER STATUS (Battery vs. USB)

12:15 DAY 1  
**08:59** 

12:15 DAY 1  
**08:59** 

OFFLINE  
**08:59** 

### DPT-CONSOLE

#### SOFTWARE DESCRIPTION

The DPT-EN3 is supplied with DPT-CONSOLE, a Microsoft® Windows based graphical user interface software, which allow the easy creation of scheduled events that activates the DPT-EN3's output relay.

With the Schedule Details... option, DPT-CONSOLE allows you to create up to 120 individual events per day in a 7-day cycle. During this process, you will be able to define all relevant options, such as Pulse Time duration (in seconds), and a specific time (HOUR:MINUTE) at which the DPT-EN3's output should be activated. A printable report allows documentation of the schedule details.

Title	Mon	Tue	Wed	Thu	Fri
1	07:15, 3	07:15, 3	07:15, 3	07:15, 3	07:45, 5
2	07:45, 5	07:45, 5	07:45, 5	07:45, 5	08:15, 3
3	08:45, 5	08:45, 5	08:45, 5	08:45, 5	09:45, 5
4	09:45, 5	09:45, 5	09:45, 5	09:45, 5	
5	10:45, 5	10:45, 5	10:45, 5	10:45, 5	

DPT-CONSOLE automatically detects the correct USB Communication port and establishes a connection. A status report offers information on the connected hardware, and the unit's Day/Time setting. It also allows the synchronization of the Date/Time to make sure that the DPT-EN3's onboard clock is synchronized with your PC's current BIOS date/time.

An "Activate / De-Activate" Software icon allow you to enable or disable the DPT-EN3 from the connected PC. A "Manual Ring" Button on the DPT-EN3 allows manual activation of the system output.

#### DPT\_Sync

DPT\_Sync software allows centralized and Server based time updates of the DPT-EN3 connected to your PC.

DPT-EN3 DATASHEET NOVEMBER 2009

Specifications and Information contained in this datasheet are furnished for informational use only, and are subject to change at any time without notice, and should not be construed as a commitment by ALFTECH. ALFTECH assumes no responsibility or liability for any errors or inaccuracies that may appear in this datasheet, including the products and the software described in it.  
Copyright © 2009 Alf Electro-Technical Services CC. All rights reserved.

ALFTECH - P.O. Box 1718 - Somerset West - 7129 - Ph: +27-21-851-7126 - Fax: +27-21-852-8111 - info@alftech.com

## DPT-CONSOLE

### SOFTWARE REQUIREMENTS

- **Requires an IBM PC/AT Compatible Computer**
  - Available USB Port
- **Recommended Platforms:** IBM-compatible PC running Windows Server 2003 R2\*, Windows 7\*, Windows Vista\* SP1, Windows XP SP3+, Windows 2000\*\*, NT4\*\* SP3+, ME\*\* or 98SE\*\* at a minimum screen resolution of 800x600 (Small Fonts).

\* Microsoft Windows Server 2003 R2's and Microsoft Windows Vista's hardware requirements differs substantially from Microsoft's earlier desktop operating systems. To ensure optimum performance, please adhere to Microsoft's minimum hardware configuration specifications for their Windows family of software.

\*\* NOTE: DPT-CONSOLE has been tested successfully on alternative Microsoft Windows platforms, but ALPTECH makes no recommendation of the use of such alternatives. Only LIMITED support is provided if the DPT Products are installed or connected to such alternatives.

### Packaging

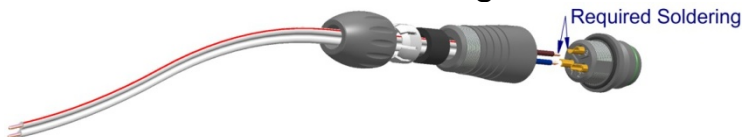
The DPT-EN3 is shipped in a 25x16x7 cm carton, and weights ± 450 gm (9.8"x6.3"x2.75", 1.25 lb)

### DPT-EN3 Electrical Specifications

PARAMETER	CONDITION	VALUE
Power supply	Connected to PC (or powered USB Hub)	USB
Supply current	USB	< 70 mA
Relay Contact Current		7 A
Battery Backup time	USB removed	±7 days
Real Time Clock Accuracy	0 °C to +40 °C	±2 Min/Year
Replacement Battery		3.6 v Rechargeable (3 x 1.2 volt Nickel Metal Hydride AAA)

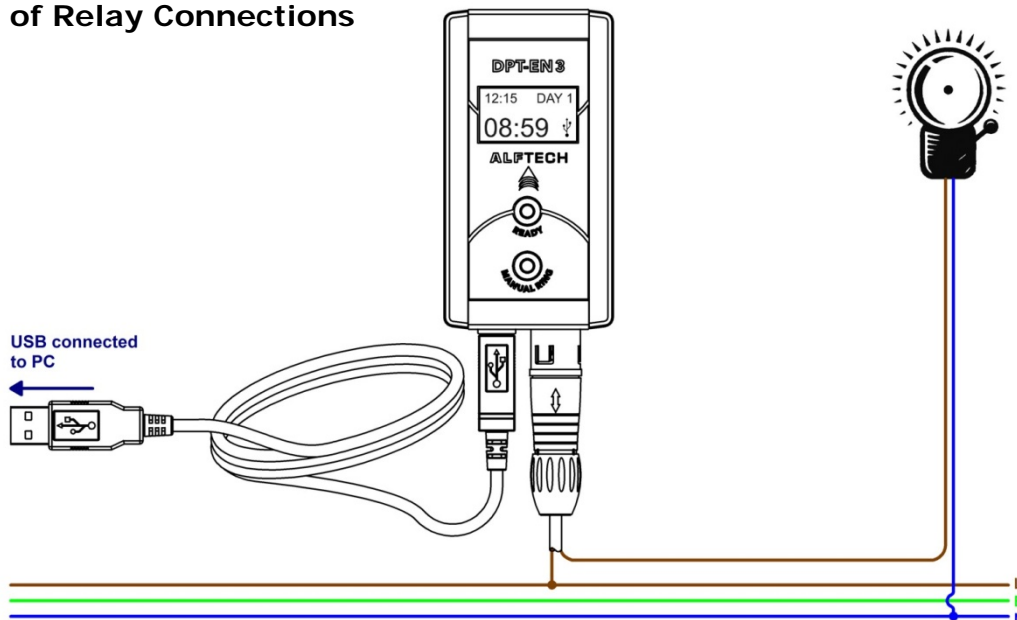
### DPT-EN3 Connections

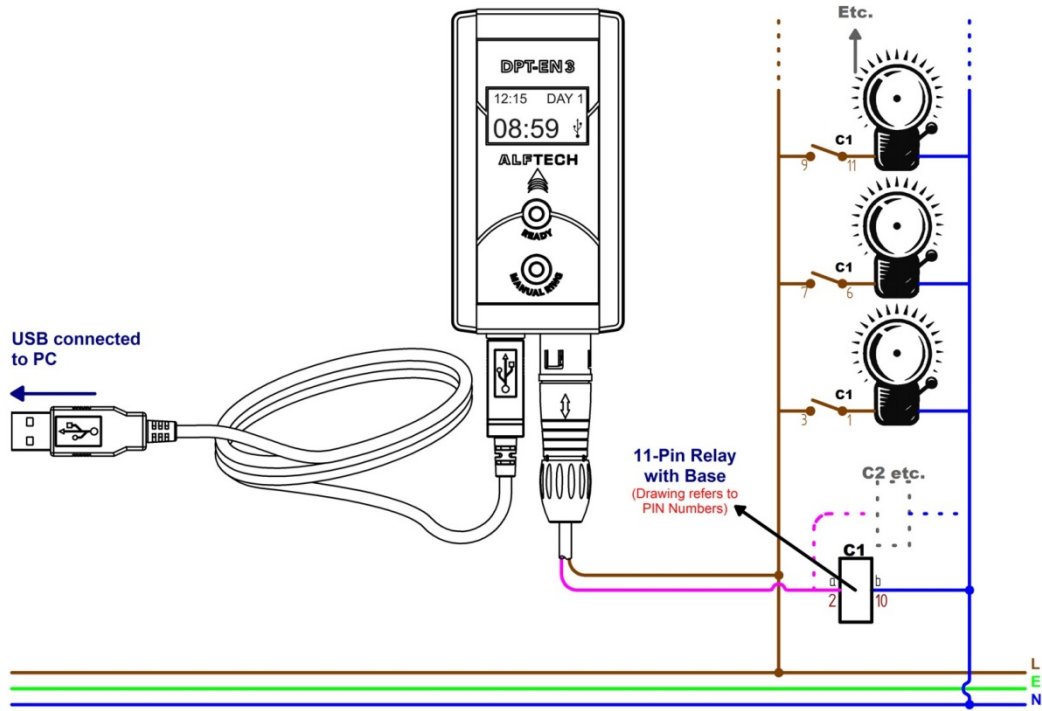
#### BINDER 720 Series Self-Latching Push Pull Connector (Connector Included with DPT-EN3)



The image above illustrates the Self-Latching Push Pull Connector and cable used between the DPT-EN3, and the Relay, Siren or Bell. A Ø 5.3 mm – 6.5 mm cable is recommended. A **5.0 m USB Cable** is also included as standard with the DPT-EN3.

#### Example of Relay Connections

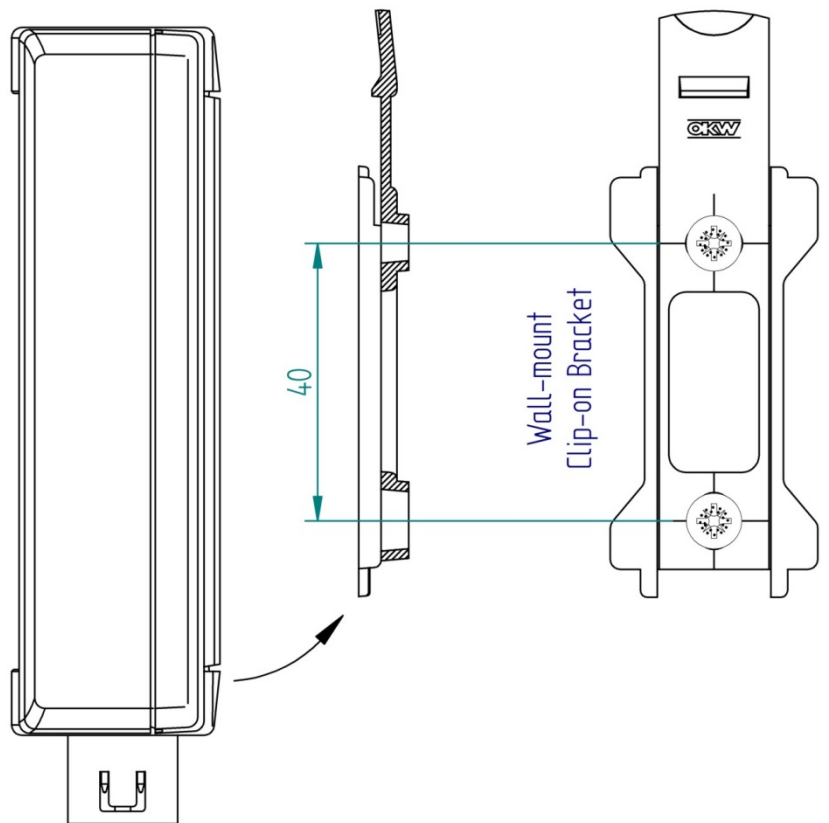
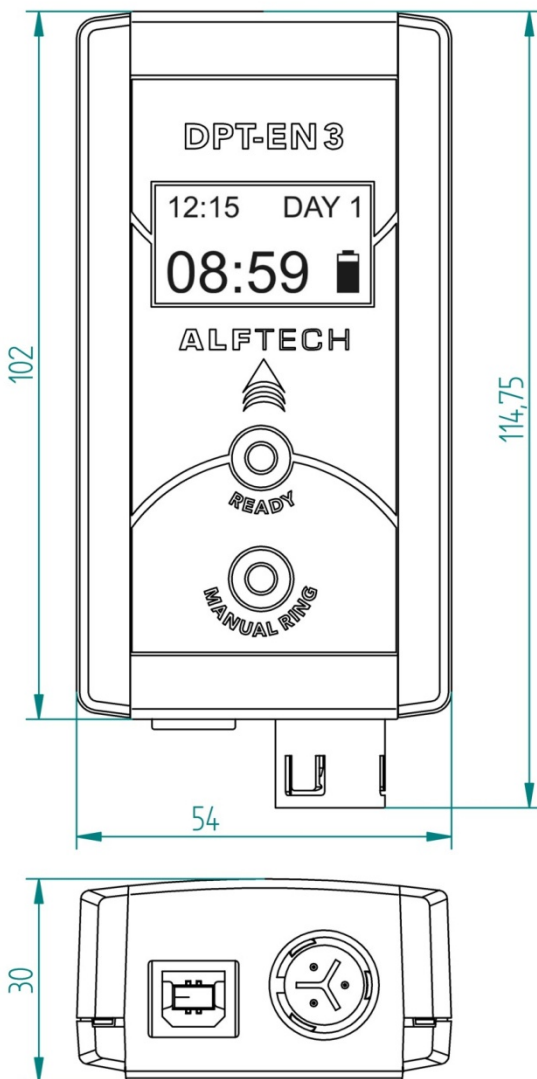




### PHYSICAL LAYOUT AND DIMENSIONS

DPT-EN3

(All Dimensions in mm)



#### Wall mounted Clip-on bracket

A Wall mounted Clip-on bracket is provided with your DPT-EN3. This bracket can be securely attached to the wall by drilling two 6 mm holes spaced 40 mm vertically into the wall. Insert the two wall-mount plugs (included as standard with the DPT-EN3) into the 6 mm holes and screw the bracket securely onto the wall.